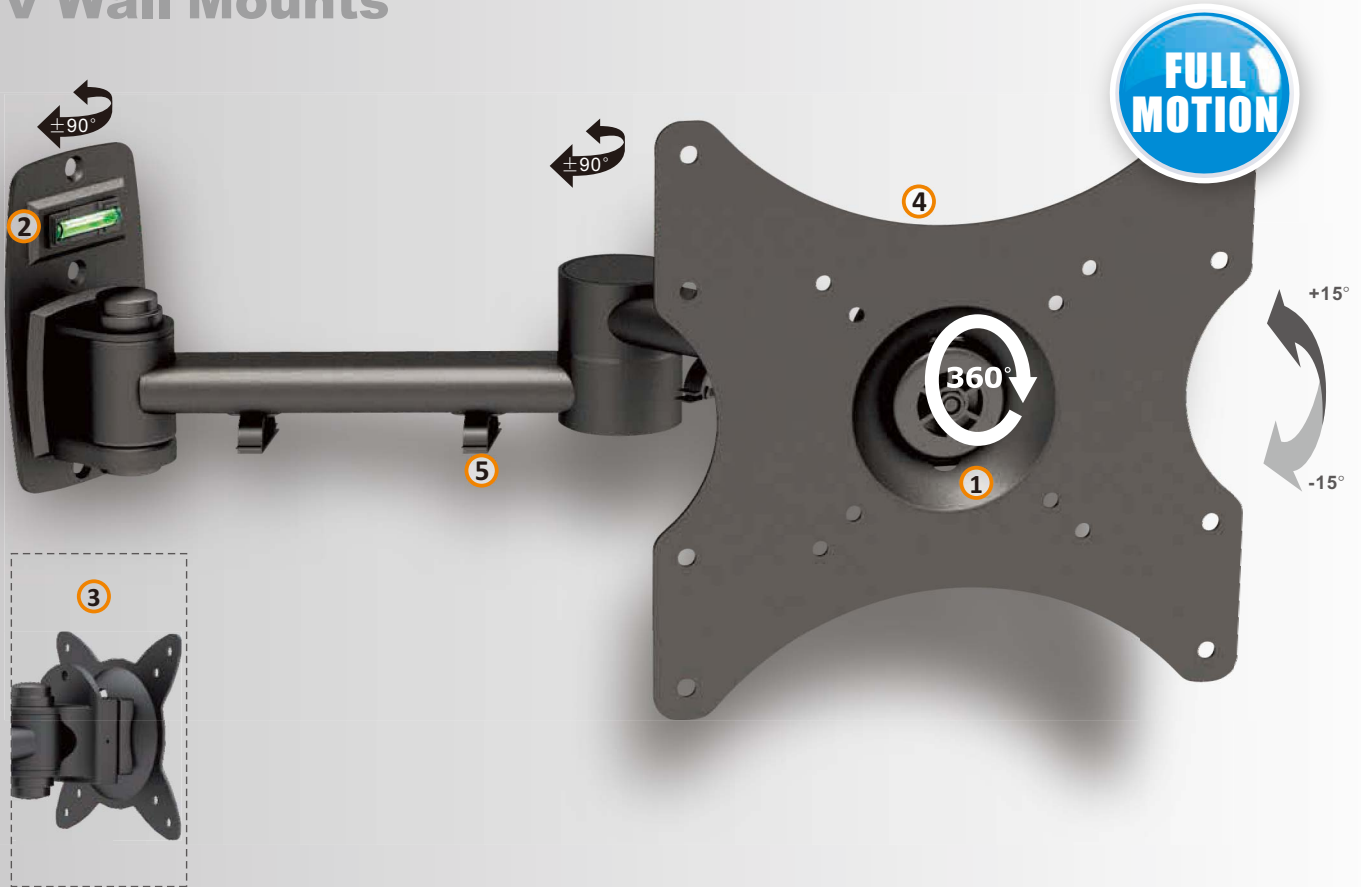


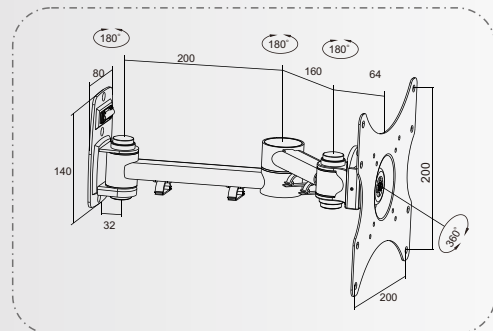
Standard Series

Anti-theft LED, 3D LED, Thin LCD TV Wall Mounts

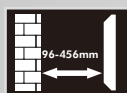


Features:

- ① 360° rotation allows portrait and landscape viewing
- ② Integrated bubble level assures easy installation alignment
- ③ Slide-in VESA plate provides easy access for attachment and detachment
- ④ Locking hole designs for anti-theft (require for a padlock)
- ⑤ Cable clips keep cables organized



UCH0092A



most
23"-42"

20kg
(44lbs)
MAX

8pcs
Carton

Dimensions: 54.5x33x39cm
G.W/N.W: 18/17KG

75x75, 100x100, 200x100, 200x200

